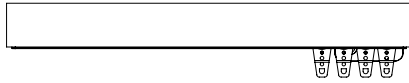


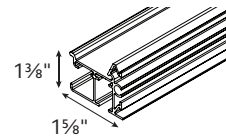
Estate™ Traverse Rod System

1 3/8" Estate™ Assembled Set

TRACK STYLE



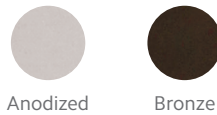
DIMENSIONS



Track Overview

- NEW | Briza™ Motorization available
- Assembled sets includes all necessary components
- Heavy duty, ball bearing pulleys
- Heavy duty, wheeled (Ripplefold™) or ball bearing (pleated) carriers
- Wall or ceiling mount available
- Multiple draw options available; cord, hand/baton, Briza™ Motorization


Available Colors



Available Draw Types



Specifications

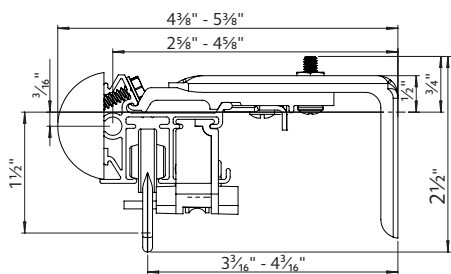
PROFILE	DESCRIPTION	HEADING STYLE	MOUNT	DRAW	MAX. TRACK SET LENGTH (FT.)	MAX. FABRIC WEIGHT (LBS.)		LBS. PER FT.
	83611 1 3/8" Estate™ Cord Draw, Hand/Baton Draw, Briza™	Pleated, Ripplefold™	Ceiling, Wall	One-Way	16	Cord, Hand/Baton	64	4
						Briza™	100	6.25
				Two-Way	16	Cord, Hand/Baton	64	4
						Briza™	100	2.5

Maximum track lengths and maximum fabric weights do not apply to curved tracks. Send complete specifications to customer service for feasibility.

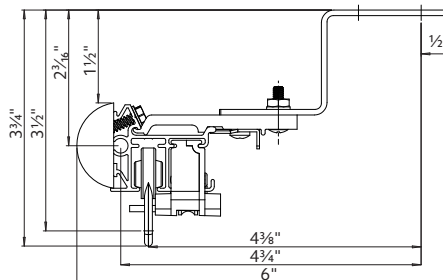
Installation for Standard Mount

Install according to instructions.

1 3/8" WALL MOUNT



1 3/8" CEILING MOUNT

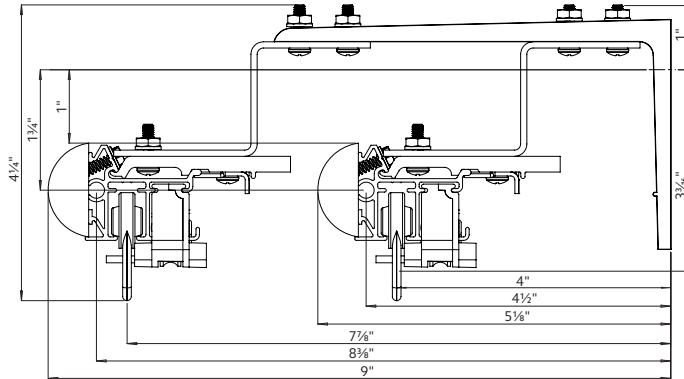


SUPPORT SPACING

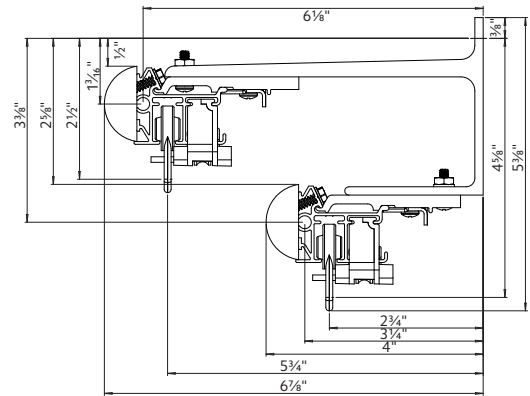
Two brackets at each end 24" apart, 48" intervals over the remainder of track. Spacing may need to be shortened for heavier draperies.

Installation for Double Mount

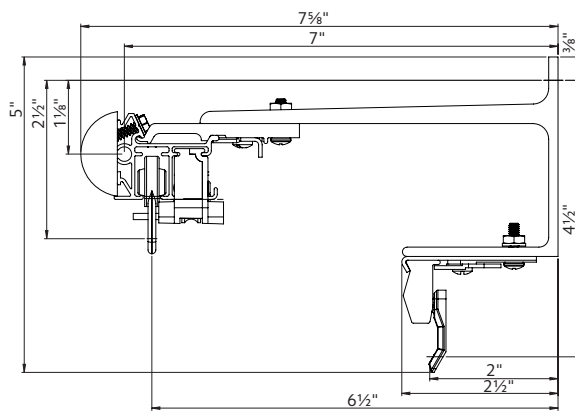
1 3/8" DOUBLE MOUNT



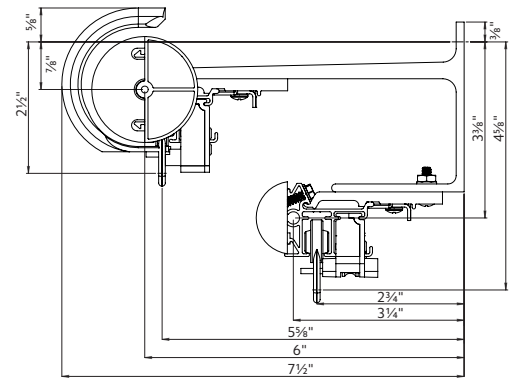
1 3/8" DOUBLE STAGGERED MOUNT



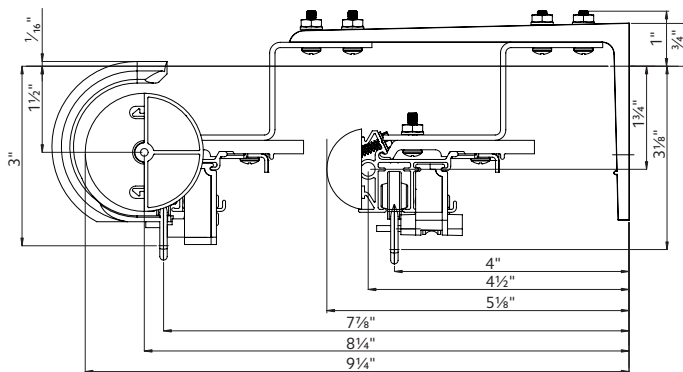
1 3/8" DOUBLE MOUNT WITH SUPERFINE™



2" & 1 3/8" DOUBLE STAGGERED MOUNT



2" & 1 3/8" DOUBLE MOUNT

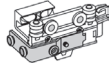

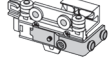
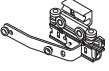

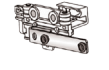
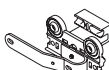



SUPPORT SPACING


Two brackets at each end 24" apart, 48" intervals over the remainder of track. Spacing may need to be shortened for heavier draperies.

Track Components


Wheeled Master Carriers

ITEM	PRODUCT NUMBER	NOTES
	Buttmaster Carriers Right 84101 Heading Style: Pleated, Ripplefold™ Color: 061 Zinc, 059 Black	Drapery panels butt together at center, no flat areas to overlap 
	Buttmaster Carriers Left 84102 Heading Style: Pleated, Ripplefold™ Color: 061 Zinc, 059 Black	
	Overlap Carriers Right 84103 Heading Style: Pleated, Ripplefold™ Color: 061 Zinc, 059 Black	Drapery panels overlap at center 
	Overlap Carriers Left 84104 Heading Style: Pleated, Ripplefold™ Color: 061 Zinc, 059 Black	
	Overlap Carriers Ball Bearing Right Heading Style: Pleated Color: 93706055 Light Gray, 1856960 Satin Nickel 1856971 Brushed Bronze, 1856959 Black	
	Overlap Carriers Ball Bearing Left Heading Style: Pleated Color: 93707055 Light Gray, 1856975 Satin Nickel 1856976 Brushed Bronze, 1856974 Black	

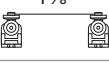

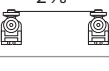

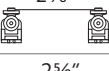



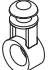
1 3/8" Ball Bearing Wheeled Carriers

ITEM	PRODUCT NUMBER	NOTES
	25mm Ball Bearing Carriers 9680 Color: 025 White	For use with Estate™ Decorative Rings

1 3/8" Ball Bearing Wheeled Carriers

ITEM	PRODUCT NUMBER	NOTES
	16mm Ball Bearing Carriers 86700 Color: 025 White, 061 Gray, 064 Bronze, 059 Black	

Ripplefold™ Wheeled Carriers

ITEM	PRODUCT NUMBER	NOTES
 1 7/8"	120% Ripplefold™ Carriers 82120 Color: 025 White, 059 Black	
 2 1/8"	100% Ripplefold™ Carriers 82100 Color: 025 White, 059 Black	
 2 3/8"	80% Ripplefold™ Carriers 82080 Color: 025 White, 059 Black	
 2 5/8"	60% Ripplefold™ Carriers 82060 Color: 025 White, 059 Black	
	Two Sides Snap Pendant 82001 Color: 025 White, 061 Gray, 064 Bronze, 059 Black	To be used with Ripplefold™ wheeled carriers. (82120,82100,82080,82060)